

# INTERNET CONNECTIVITY



## Browser Based Monitoring and Control of the Andover Controls Infinity, Continuum & AC256

Features of the Infinity/Continuum/256 **web/i**:

- ⚡ Monitor and control the Infinity, Continuum or 256 building management systems in real time through a standard web browser over corporate networks and/or the Internet.
- ⚡ Expand the existing building control systems to allow them to communicate with each other.
- ⚡ All BMS information from the Andover Controls Infinity, Continuum and 256 systems are displayed as dynamic web pages.
- ⚡ No proprietary vendor software or multiple licenses are needed to access the automation system, just a standard web browser.
- ⚡ Systems are typically installed, configured and commissioned with just one visit to the facility.
- ⚡ **web/i**'s Linux operating system includes security features (Secure Socket Layer, or SSL and Secure Shell or SSH) which insures that your data and facility stays secure.
- ⚡ The **web/i** provides users with the functionality of a BMS without having to learn to program using proprietary software.
- ⚡ Access your facility information through a Web enabled personal digital assistant (PDA). Provides remote monitoring and control while on the road, at home or anywhere, regardless of access to phones or computers.



Your Leader in Web Integration

## Andover Controls

Infinity™ - Continuum™ - AC256

### Enterprise Wide Monitoring and Control

The **web/i** is an intelligent, cost effective point of connection for integrating enhanced BMS accessibility into an enterprise wide solution for monitoring and control.

### Plug and Play Integration

The **web/i** features true "plug & play" functionality. Installation consists of mounting, plugging in the power source, configuring your network and running auto-interrogation of your Andover network. The **web/i** software tools make creating web pages for monitoring and control quick and easy.

### Terminal Emulator

A terminal emulator, which runs within the browser, provides full system programming capabilities, thus eliminating the need for dial-up requirements, while providing a secure SSH environment.

### Auto-Interrogation of Database Objects

This function searches the Infinity, Continuum or 256 system and automatically downloads BMS object information into the **web/i** SQL database. The user doesn't have to manually enter objects thus reducing commissioning time and increasing accuracy.

### Remote File Backup

Remote back-up and restoration of systems files in the event of an Andover database failure. Database files from the Andover BMS are copied onto the **web/i** and can be easily and quickly restored without requiring an onsite visit from a technician.

**T**he Andover Infinity/Continuum/256 building control system driver is a native driver designed to run on the **web/i** and provide an interface between the Andover Controls Infinity/Continuum/256 product lines of building control systems and the patent pending WebGen Systems **web/i** application software.

This driver allows information from the building control system to be integrated into the **web/i** application thus web enabling the Infinity, Continuum and 256 products for web based monitoring and control.

## Benefits

The benefits of the **web/i** include:

- ⚡ Common front end to different BMS systems
- ⚡ Web access to your site from a standard browser
- ⚡ Simple to use operator interface provides usable, easy to manage data
- ⚡ Low installed cost
- ⚡ Single Package "Shrink Wrap" Solution
- ⚡ Highest available security
- ⚡ IT friendly - Low bandwidth
- ⚡ Ability to reuse existing graphic backgrounds

## Service

The **web/i** is the critical tool to enhance your service offering to clients. With a **web/i** installed at a facility, service technicians can respond almost instantaneously to alarms or calls. In most instances they will be able to address the issue without leaving their desk, thus saving money and providing the client with exceptional value.

## Technical Data

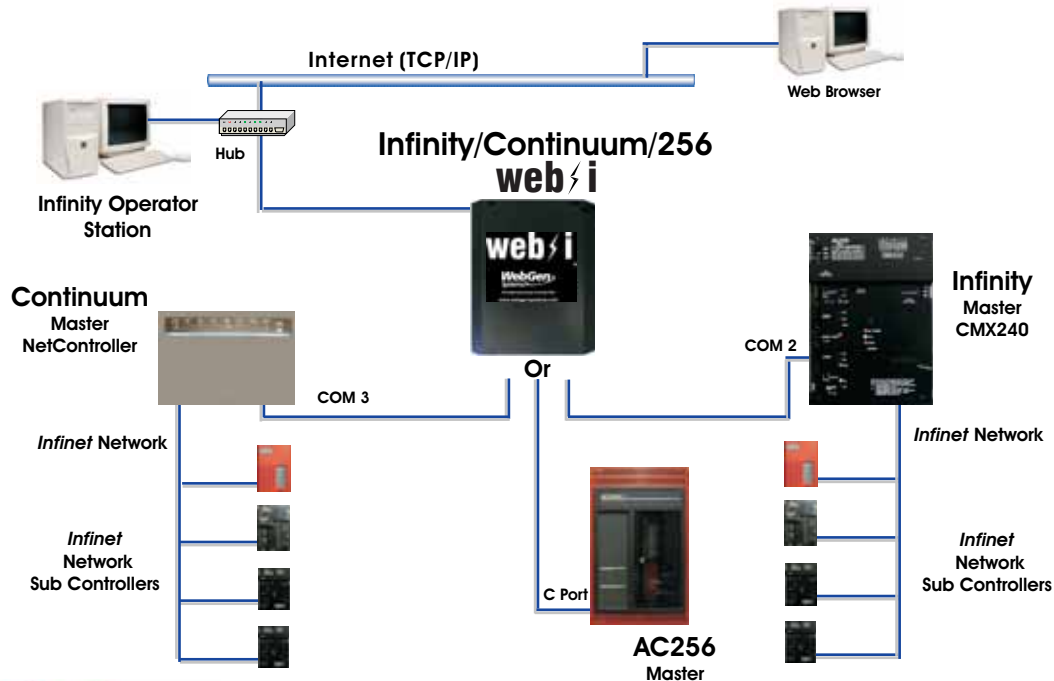
### System Description

128 MB of RAM standard (Up to 512 MB)  
256 MB Flash storage standard (Up to 1 GB)  
Two (2) RS-232/RS-485 serial port interfaces  
One (1) - 10/100 Mbit/sec ethernet ports  
Two (2) USB expansion ports  
Linux operating system  
Integrated firewall  
Packet filtering & logging  
Integrated IPsec (VPN) functionality  
8.0 in x 7.3 in x 2.0 in dimensions

### Display/Functionality

Data displayed in graphical, text or PDA format  
Trending/Reporting  
Export trend data to Excel™  
Scheduling  
Alarm Management - View/Acknowledge/e-mail  
Full monitoring and control of system points  
Audit trail  
Graphics page development tools onboard

## Andover Controls Infinity, Continuum and AC256 System Architecture



**WebGen**  
Systems

*Your Leader in Web Integration*

North American Sales Office

41 William Linskey Way  
Cambridge, MA 02142

**617-349-0724**

For More Information Visit Our Web Site at: [www.webgensystems.com](http://www.webgensystems.com)

WebGen Systems acknowledges the use of the Infinity™ and Continuum™ trademarks from Andover Controls. Copyright 2003 WebGen Systems. All rights reserved.

Andover 11-03